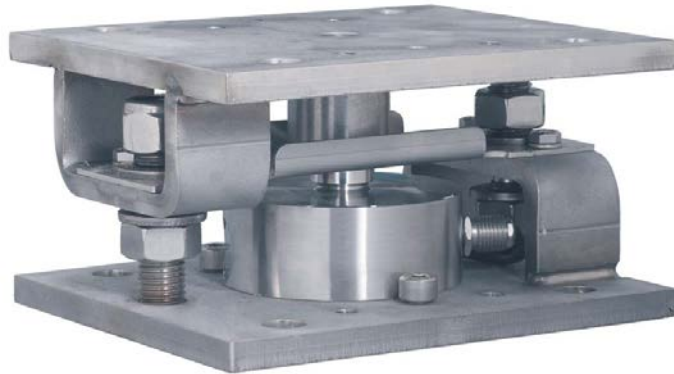


Installation kit for load cell F1215

with nominal loads from 1t to 100t



Description

The mounting parts for the force transducers are so designed that the force is applied in an optimum way.

The installation kit AZK01X011 for the compression load cell F1215 allows an easy, trouble-free implementation of the load cell in a construction. It provides an integrated lift-off and plate system against lateral forces, combined with a very low height.

The unit is secured with screws.

Features

- For compression load cell F1215
- Nominal loads 1 t... 100 t
- Lift-off protection
- Plate system against lateral forces
- Stainless steel design
- Easy implementation
- Low height

Measuring range

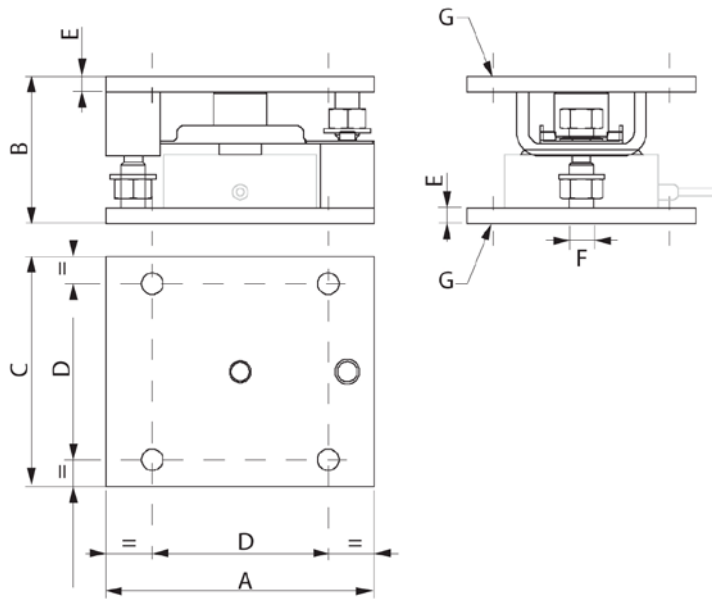
- 1 t ... 100 t

Applications

- Weighing

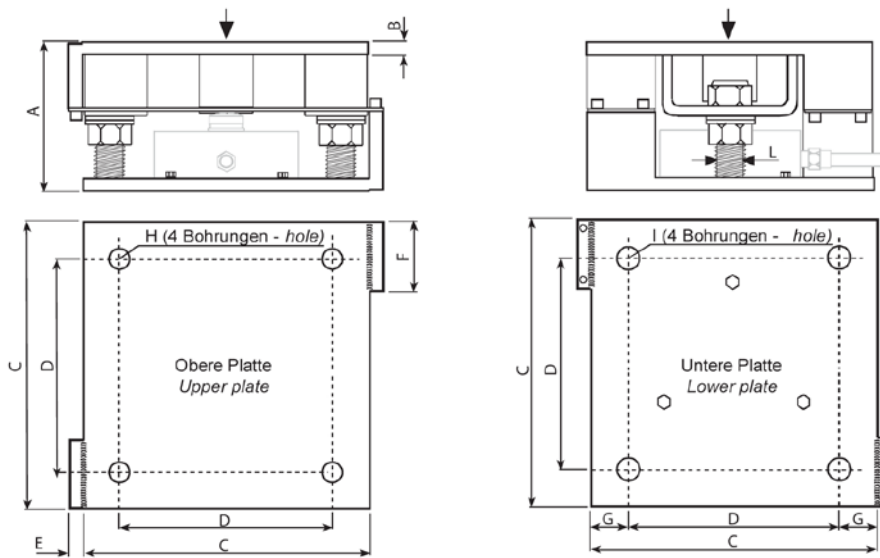
Model: AZK01X011

Dimensions



Load cell F1215	1...15t	30t
Max. horizontal forces	8 kN	10 kN
Max. lift-off forces	20 kN	35 kN

Nominal load F1215	A	B	C	D	E	F	G (x8)	Weight
1...15t	175	96	150	115	10	M16	Ø14	6 kg
30t	230	118	200	160	10	M20	Ø17	10 kg



Nominal load F1215	A	B	C	D	E	F	G (x8)	H	I	L	Weight
50t, 100t	175	96	150	115	10	M16	Ø14	M20	Ø23	M30	34 kg

Dimensions in mm

Subject of technical changes